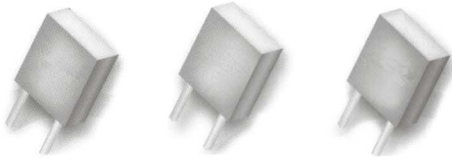
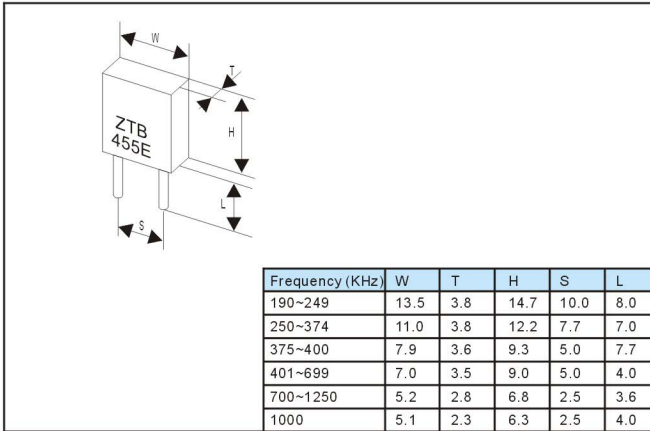


Series ZTB



External dimensions

Unit: mm



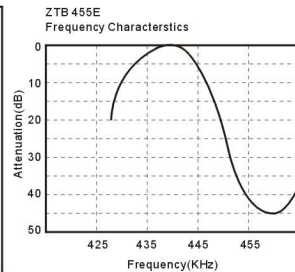
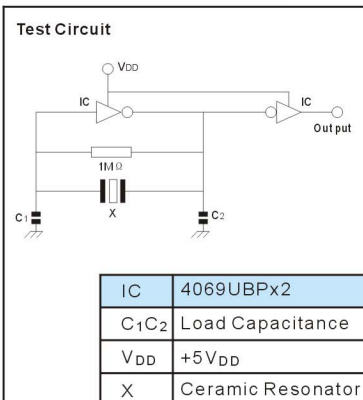
Item	Specification	Remarks	
Series	ZTB		
Frequency Range	190KHz to 1250KHz	FR	
Frequency Accuracy(25°C)	As Following Table	FA	
Stability In Temperature	±0.3%	-20°C to +80°C	
Operating Temperature Range	-20°C to +80°C		
Storage Temperature Range	-30°C to +85°C		
Rating Voltage	D.C.Voltage	6V Max	D.C.
	A.C.Voltage	15Vpp	A.C.
Resonant Impedance	As Following Table	R1	
Load Capacitance	As Following Table	C1,C2	
Insulated Resistance	≥100MΩ	D.C.10V	
Withstanding Voltage	D.C.100V 5sec	Maximum	
Aging For Ten Years	±0.3%	Maximum	

Remark: All specifications subject to change without notice.

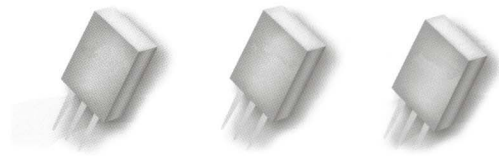
FR(KHz)	FA	R1(Ω)	C1	C2	FR(KHz)	FA	R1(Ω)	C1	C2
190~249	±1KHz	≤20	330	470	510~699	±2KHz	≤30	100	100
250~374	±1KHz	≤20	220	470	700~999	±0.5%	≤70	100	100
375~429	±21KHz	≤20	120	470	1000~1250	±0.5%	≤100	100	100
430~509	±2KHz	≤20	100	100					

Remark: All specifications subject to change without notice.

Test Circuit for MOS IC

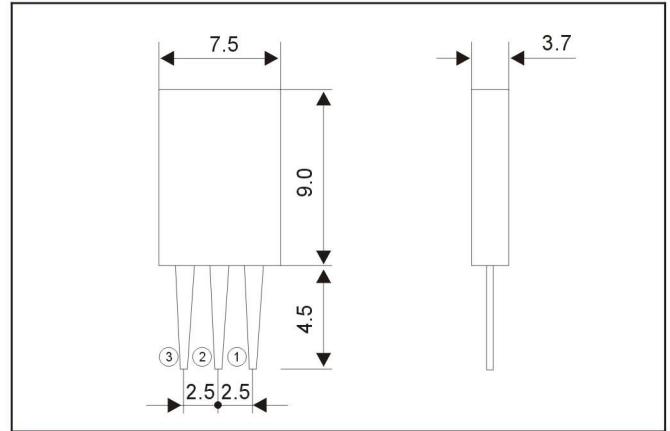


Series SFU Filter



External dimensions

Unit: mm



Item	Specification	Remarks
Part Number	SFU450B SFU455B	Others are offered
Center Frequency	455KHz ±2KHz 450KHz to 470KHz	F ₀
3dB Bandwidth	10 ±3KHz 10 ±3KHz	
Selectivity	6dB Min F ₀ -10KHz 5dB Min F ₀ -10KHz	
	5dB Min F ₀ +10KHz 3dB Min F ₀ +10KHz	
Insertion Loss	5dB	Maximum
Temperature Characteristics	±1.5KHz	
Input/Output Impedance	100MΩ ±10%	-10°C to +70°C

Remark:

- All specifications subject to change without notice.
- The frequency is 450KHz ±2KHz with the transformer of SFU450B.
- Center frequency shall be defined as the center value of bandwidth at 3dB.
- The center frequency value shall be 450KHz to 470KHz of SFU455B.

Test Circuit for MOS IC

